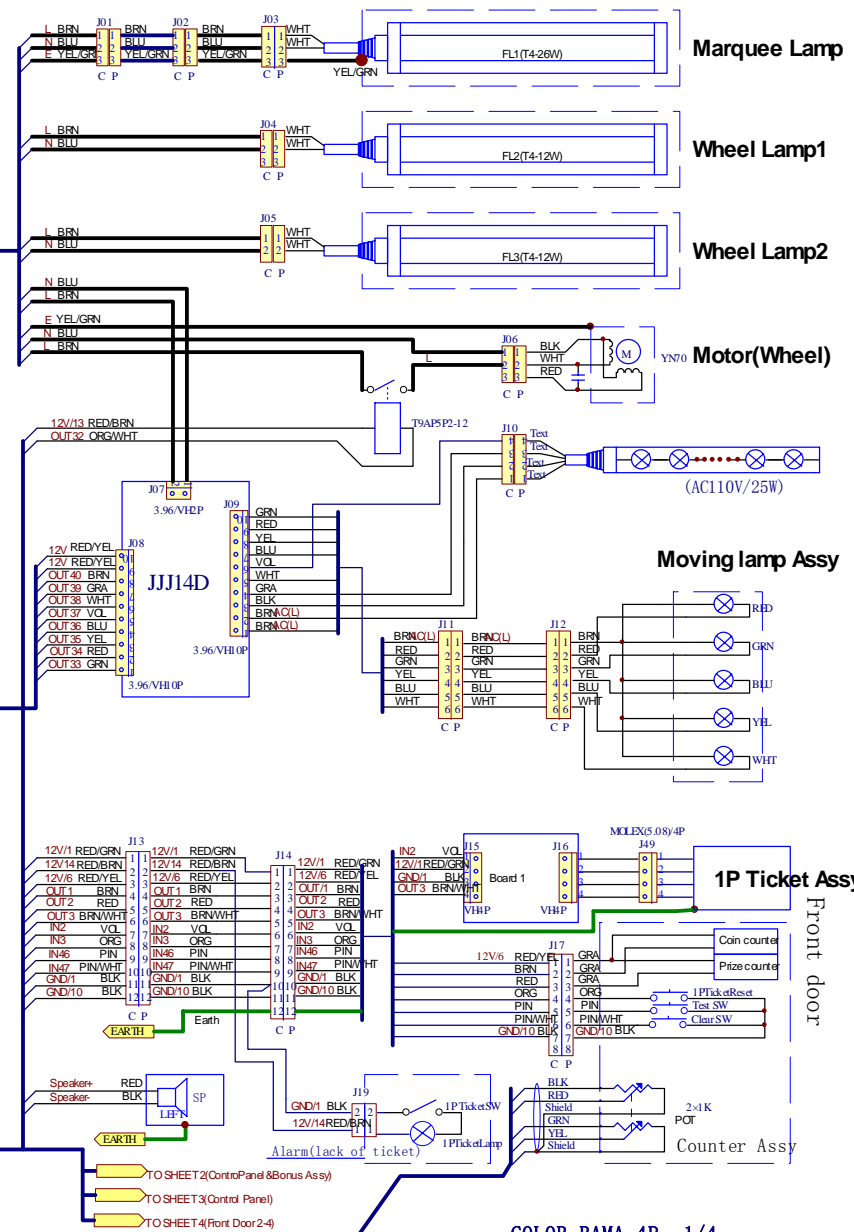
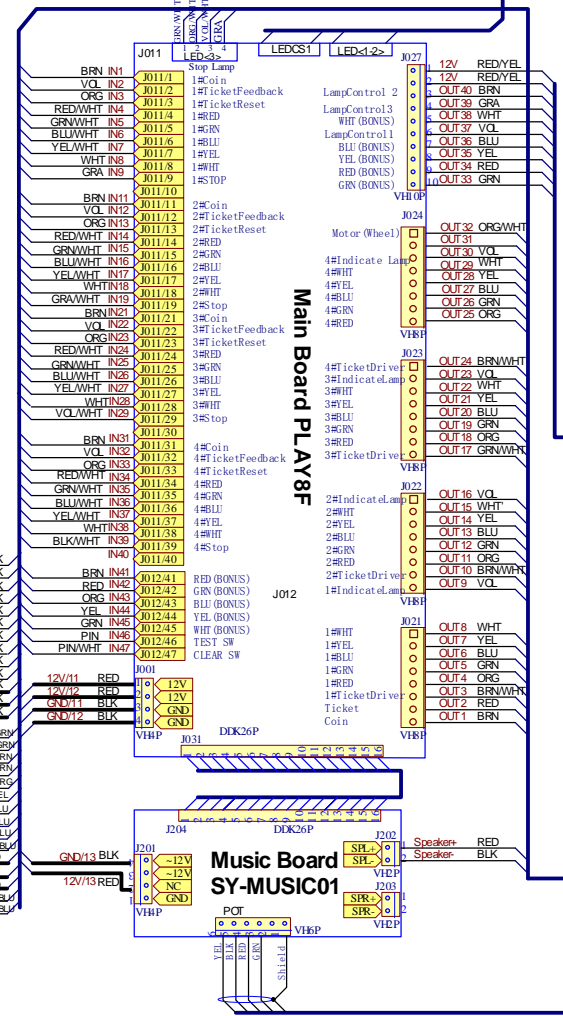
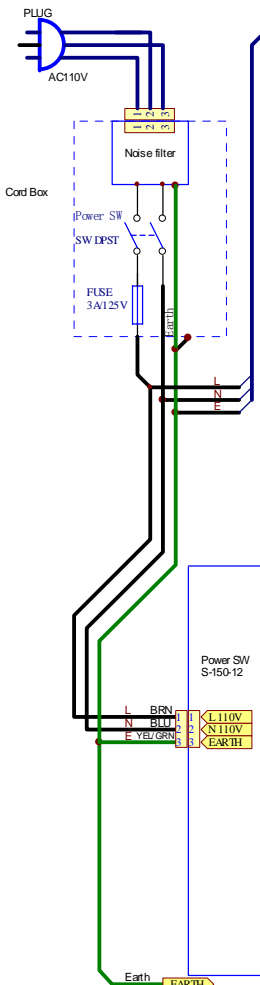
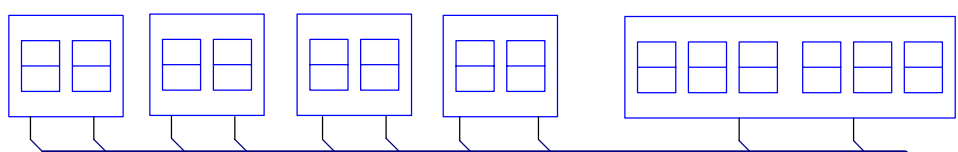


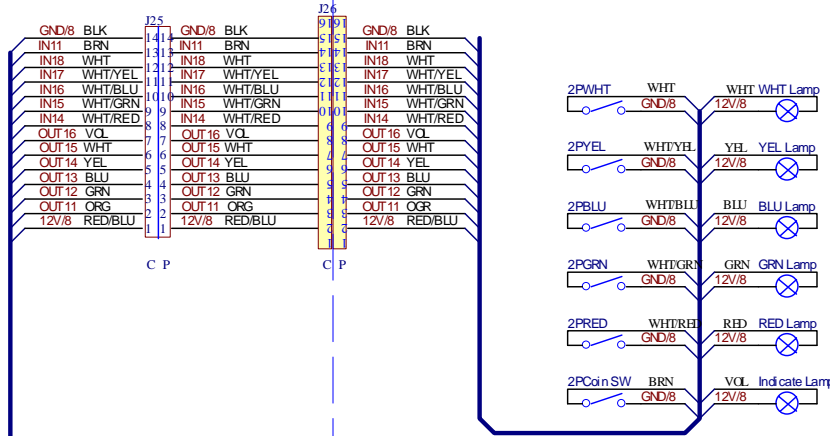
1# Coin display LED<1>1-2    2#Coin display LED<1>3-4    3#Coin display LED<1>5-6    4#Coin display LED<1>7-8

Test Board Display LED<2>1-2    3-5    6-7

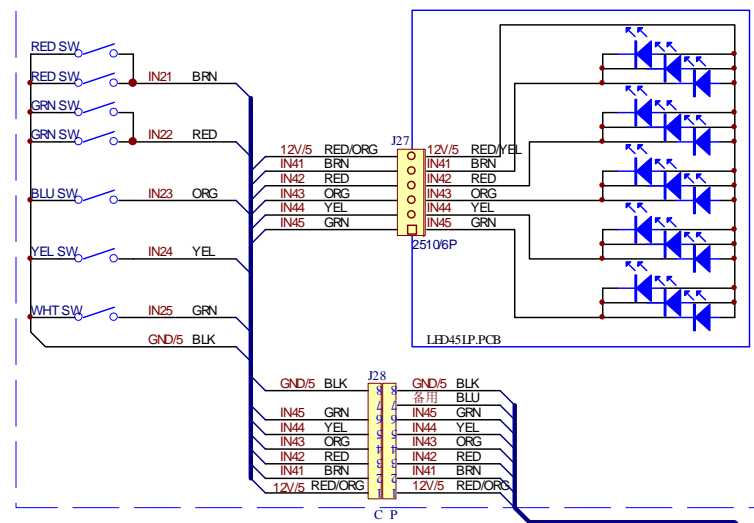


COLOR RAMA 4P 1/4  
WCLP4R-PX-00

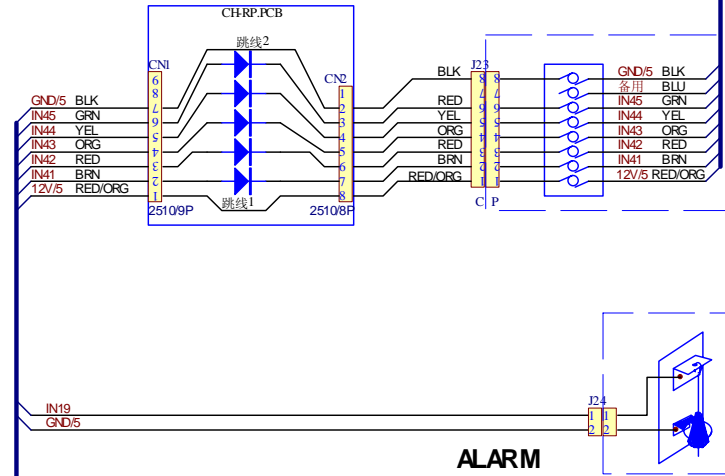
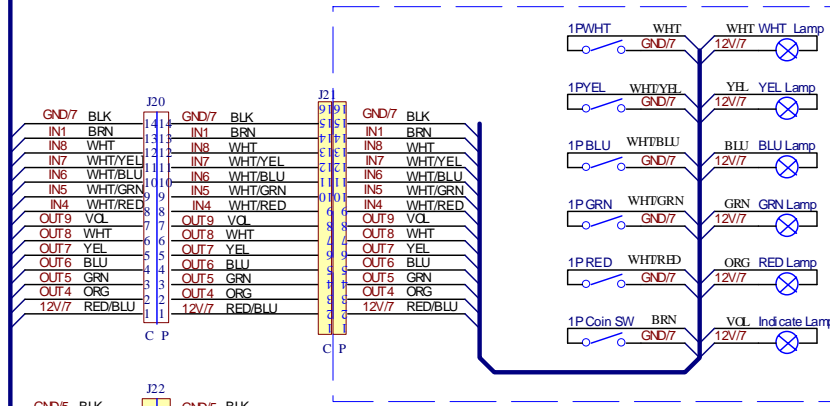
### 2P Control Panel



### Bonus Lamp & SW Assy



### 1P Control Panel

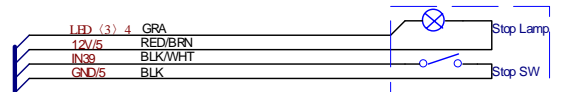
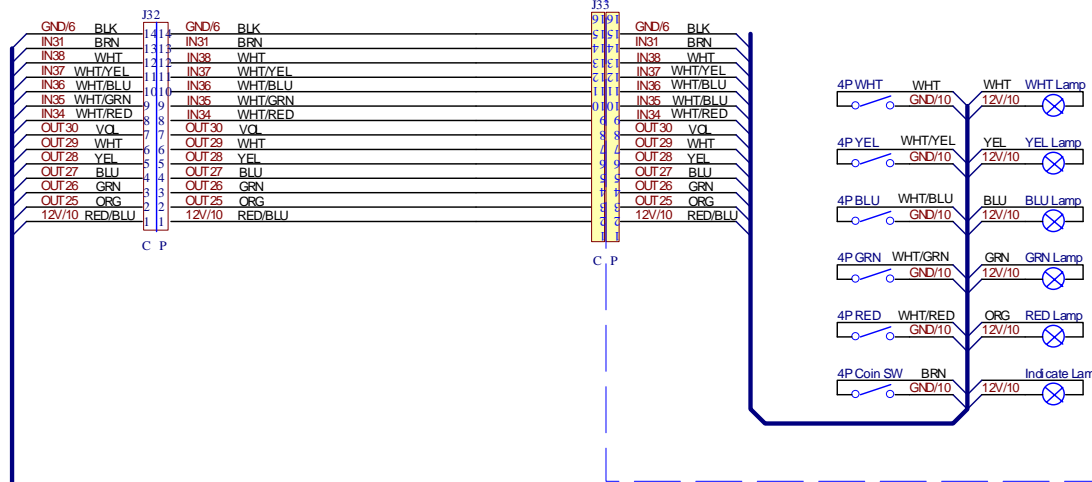


TO SHEET1 (Control Panel & Bonus Assy)

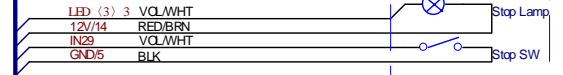
COLOR RAMA 2/4

WCLP-PX-00

### 4P Control Panel

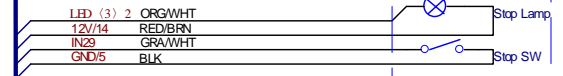
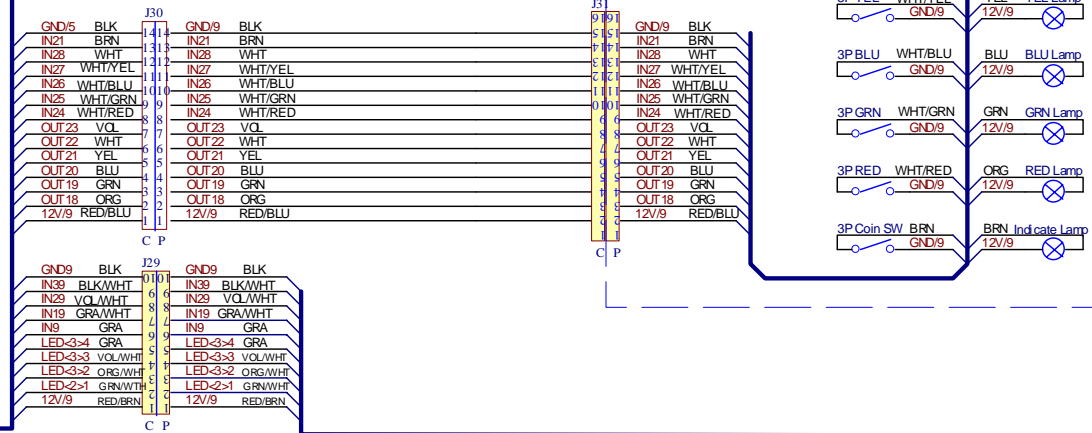


4P Stop Button

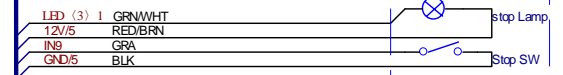


3P Stop Button

### 3P Control Panel



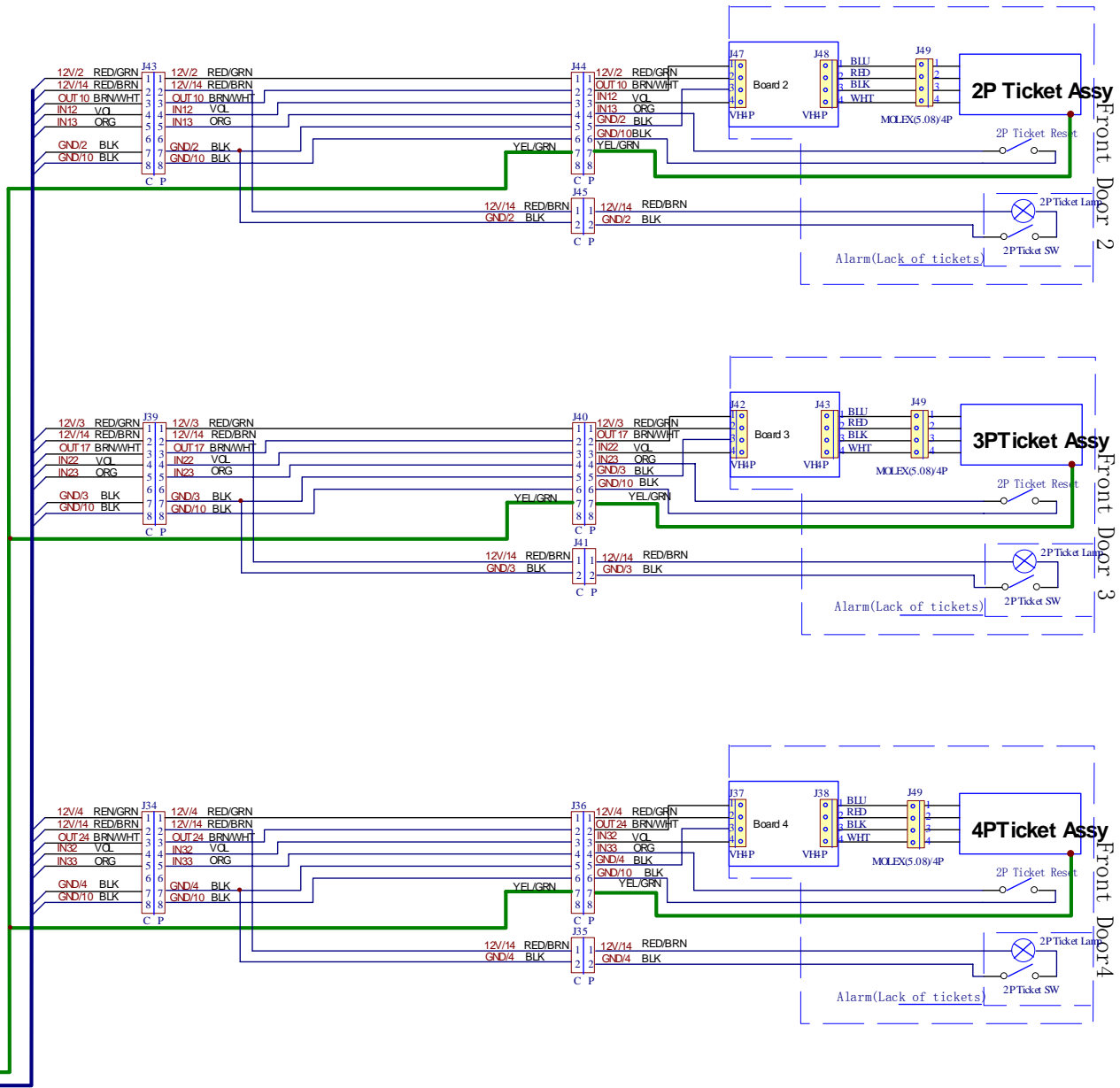
2P Stop Button



Stop Button

COLOR RAMA 3/4

WCLP4R-PX-00



TOSHEET1 ERATH

COLOR RAMA 4/4

WCLP4R-PX-00

YAO WEN JUN